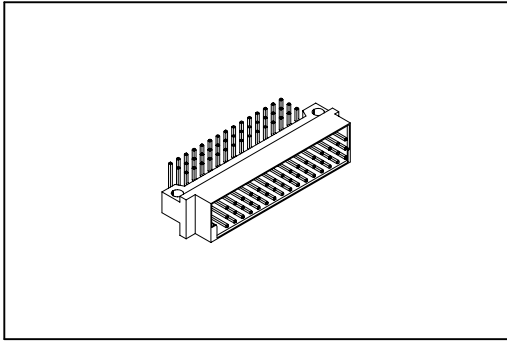


# 9001 Series

## DIN41612 Half C Type Male



### Material:

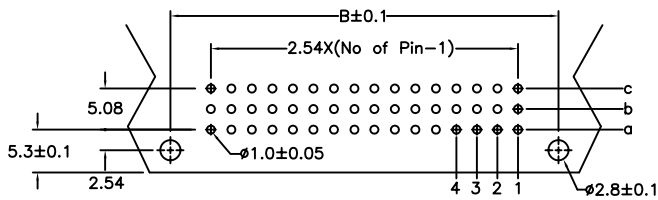
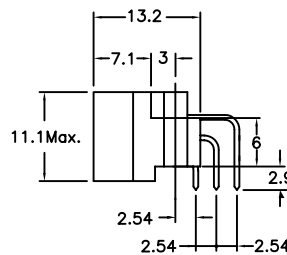
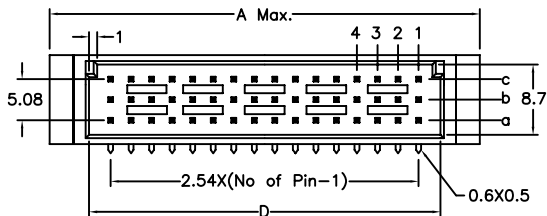
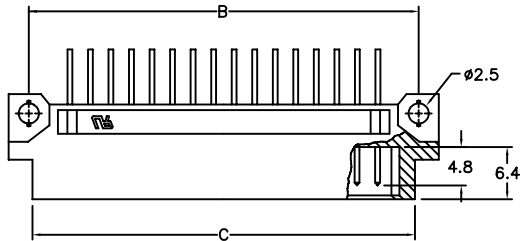
Housing: 30% Glass Filled PBT UL94V-0.  
Contacts: Brass.

### Electrical Characteristics:

Current Rating: 2 A.  
Dielectric Withstanding Voltage: AC 1000V .  
Insulator Resistance: 1000MΩ min.  
Contact Resistance: 30mΩ max.  
Operating Temperature: -55°C ~+105°C .

### Features:

- \* UL, cUL listing.
- \* Mates with Female 3Row Half 9001-16 Half C Type. 9001-18 Half R Type.



P.C. Board Layout

Dimension				
Position	A	B	C	D
48/32/24/16/8	54.00	48.26	47.40	44.60
30/15	38.10	33.02	32.16	29.36
Pitch	Position	Rows with Contacts	Contact Arrange	
2.54mm	48	a b c		
	32	a - c		
	30	a b c		
5.08mm	16	a - -		
	24	a b c		
	16	a - c		
	15	a b c		
8	a - -			

## Ordering information

<u>9001-</u>	<u>1</u>	<u>5</u>	<u>48</u>	<u>1</u>	<u>C</u>	<u>00</u>	<u>L1</u>	<u>A</u>
Series	1: 2.54mm 2: 5.08mm	5: Male	Position	1: Dip Length	C: Dip Tin Contact Gold G: Gold	00: G/F 10: 10 μ" 15: 15 μ" 30: 30 μ"	Blank: W/O Lock L1: With Lock See Page CA04	A: Tray Package

\*Standard Gold Flash.