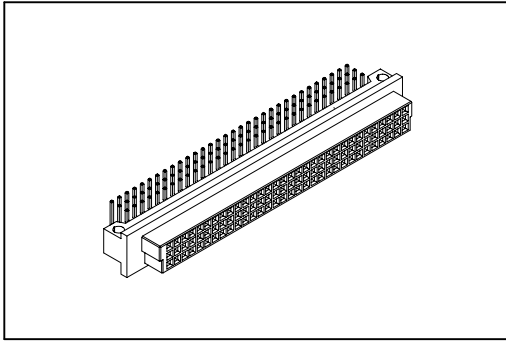


# 9001 Series

## DIN41612 R Type Female



### Material:

Housing: 30% Glass Filled PBT UL94V-0.

Contacts: Phosphor Bronze.

### Electrical Characteristics:

Current Rating: 2 A.

Dielectric Withstanding Voltage: AC 1000V .

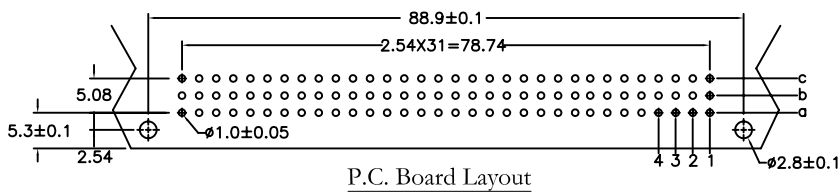
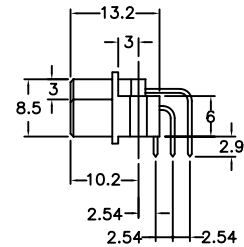
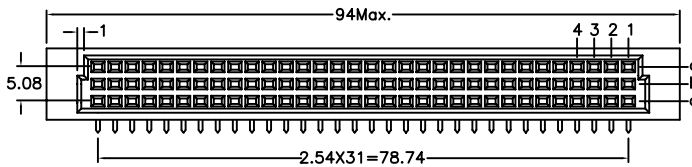
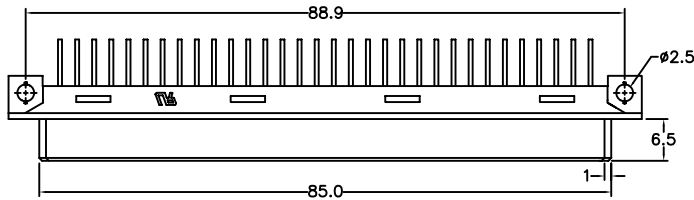
Insulator Resistance: 1000MΩ min.

Contact Resistance: 30mΩ max.

Operating Temperature: -55°C ~ +105°C .

### Features:

- \* UL, cUL listing.
- \* Mates with Male 3Row  
9001-1196, 1164 C Type.  
9001-1396, 1364 R Type.



Pitch	Position	Rows with Contacts	Contact Arrange
2.54mm	96	a b c	
	64	a - c	
	32	a - -	
5.08mm	48	a b c	
	32	a - c	
	16	a - -	

## Ordering information

9001-	<u>1</u>	<u>4</u>	<u>96</u>	<u>1</u>	<u>C</u>	<u>00</u>	<u>L1</u>	<u>A</u>
Series	1: 2.54mm 2: 5.08mm	4: Female	Position	1: Dip Length	C: Dip Tin Contact Gold G: Gold	00: G/F 10: 10 μ" 15: 15 μ" 30: 30 μ"	Blank: W/O Lock L1: With Lock See Page CA04	A: Tray Package

\*Standard Gold Flash.