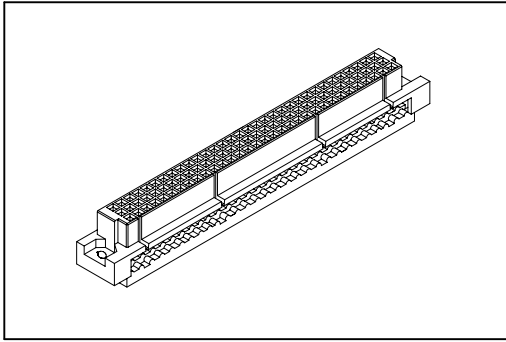


9001 Series

DIN41612 I.D.C. Type 3 Rows Female



Material:

Housing: 30% Glass Filled PBT UL94V-0.

Contacts: Phosphor Bronze.

Electrical Characteristics:

Current Rating: 2 A.

Dielectric Withstanding Voltage: AC 1000V .

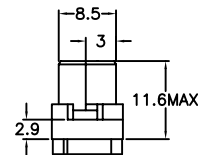
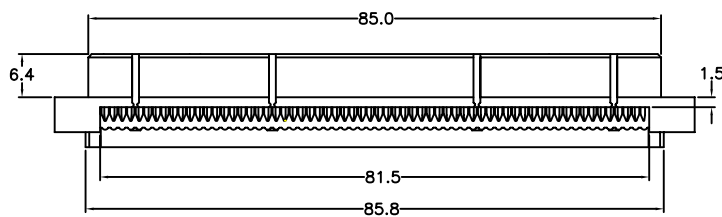
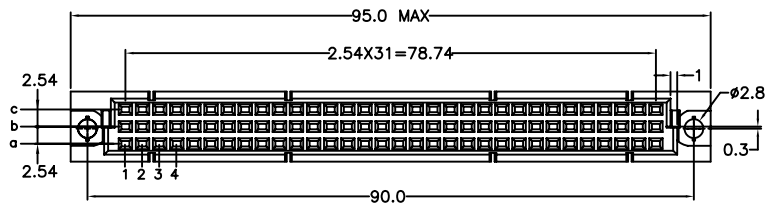
Insulator Resistance: 1000MΩ min.

Contact Resistance: 30mΩ max.

Operating Temperature: -55°C ~+105°C .

Features:

- * UL, cUL listing.
- * Mates with Male 3Row
9001-1164, C Type.
9001-1364, R Type.



Ordering information

9001-	<u>1</u>	<u>2</u>	<u>64</u>	<u>IDC</u>	<u>00</u>	<u>A</u>
Series	1: 3Row Insulators For 1.27 Cable	2: Female	Position		00: G/F 10: 10 μ" 15: 15 μ" 30: 30 μ"	A: Tray Package

*Standard Gold Flash.